

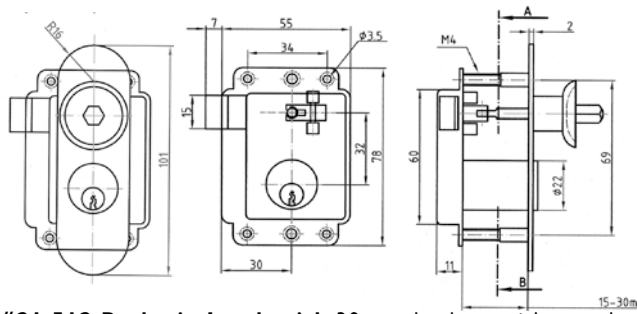


Izerwaren
Order
number

- Brass cabinet latches and locks
- Finish:
- Polished chrome plated brass
- Satin chrome plated brass

21.512 Rim Latch with Push Pin (Slam Latch Action)

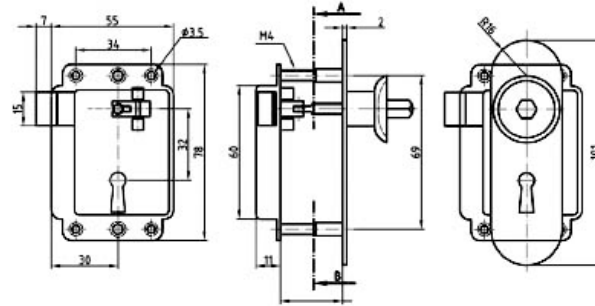
Latch with 30 mm backset,
With push pin;
round cylinder key lock
Case 55 x 78 mm
polished chrome plated brass
satin chrome plated brass



#21.512 Push pin Latch with 30 mm backset with round cylinder key lock
Case 55 x 78 mm. For door thickness from 5/8" to 1 3/16"

21.511 Rim Latch with Push Pin (Slam Latch Action)

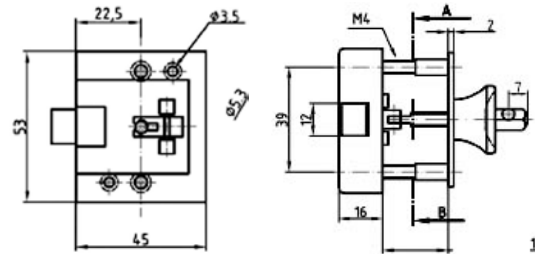
Latch with 30 mm backset,
With push pin;
skeleton key lock
Case 55 x 78 mm
polished chrome plated brass
satin chrome plated brass



#21.511 Push Pin Latch with 30 mm backset; with skeleton key lock
Case 55 x 78 mm. For door thickness from 5/8" to 1 3/16"

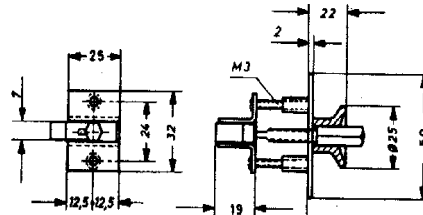
21.503 Rim Latch with Push Pin (Slam Latch Action)

Latch with 22.5 mm backset,
With push pin;
Case 53 x 45 mm
polished chrome plated brass
satin chrome plated brass



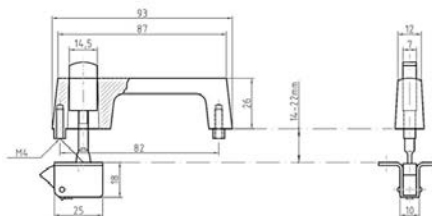
#21.503 Push pin Latch with 22.5 mm backset.
Case 45 x 53 mm. For door thickness from 5/8" to 1 3/16"

21.515 Latch #21.515; 15 mm backset,
Push latch through pin in knob;
with strike
Case 25 x 32 mm
polished chrome plated brass
Thickness of door 3/4"



#21.515 Latch; 15 mm backset, chrome plated brass, with push pin

24.1520 Latch #24.1520; 15 mm backset,
Push latch through pin in handle;
with strike
Mechanism 25 x 32 mm
Pull Handle 93 x 12 mm
Center to Center: 82 mm
Polished chrome plated brass
Thickness of door 3/4"

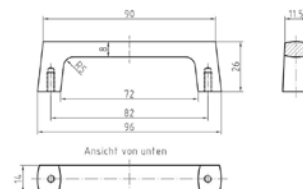


#24.571

#24.1520



24.5175 Pull #24.1520;
Pull Handle 93 x 12 mm
Center to Center: 82 mm
Polished chrome plated brass
Thickness of door 3/4"





Pull mechanism for Cabinet Doors (slam latch type)

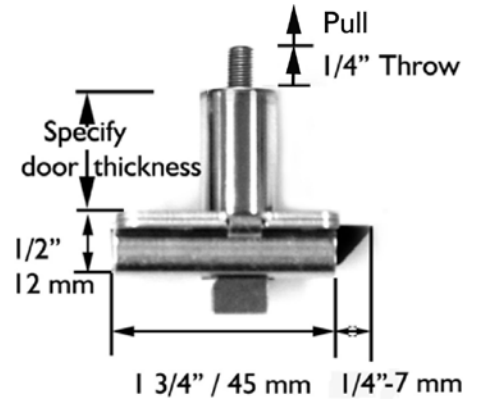
Izerwaren
Order #

- Mechanism made of aluminum with brass parts.
- Silver or black finish
- Standard: 3/4 inch thick doors
- Backset: 19, 25, 30 mm or more
- Custom backset / door thickness available.

24.P20 Pull mechanism;
backset 3/4" or 19 mm
thread size: M 4 or 8/32"
For 3/4" material thickness
Aluminum Body, Latch

24.P25 Pull mechanism;
backset 1" or 25 mm
thread size: M 4 or 8/32"
For 3/4" material thickness
Aluminum Body, Latch

24.P30 Pull mechanism;
backset 1 3/16" or 30 mm
thread size: M 4
For 3/4" material thickness
Aluminum Body, Brass Latch



#24.P20: Pull mechanism
backset 20 mm, 25 mm and 30 mm
3/4"; 1" and 1 3/16"
Thread size: M 4
KNOB NOT INCLUDED
FOR ILLUSTRATION PURPOSES ONLY



#29.020 Filler plate 6 mm 1/4" thick



23.098S #23.098S short #22.98L long
23.098L Strike for flush mounting
Brass nickel plated



#23.0971

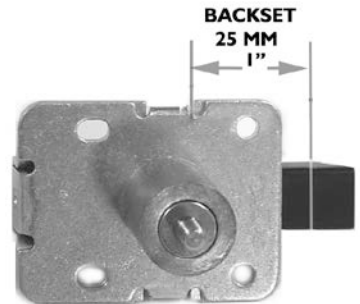
23.0971 Strike for overlay doors
Nickel plated brass



Pearl knob & rose #LZ.C0245
See page 2-2-2-B for details



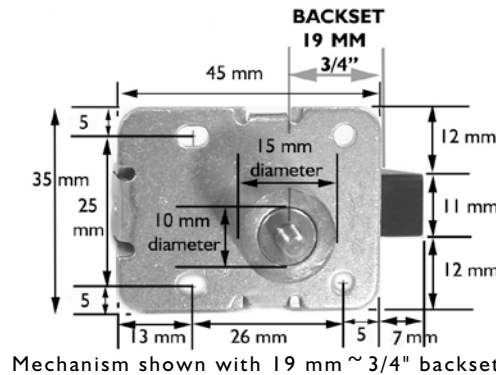
24.P20 Pull mechanism 19 mm backset (3/4")



#24.P25 Pull mechanism 25 mm backset (1")



23.099 #23.099
Roller bolt Strike plate,
Stainless steel



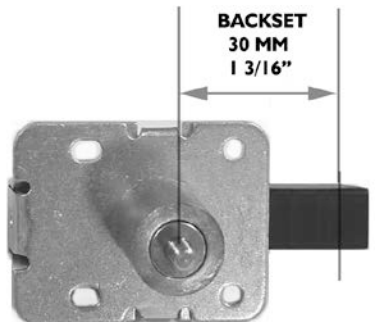
Mechanism shown with 19 mm ~ 3/4" backset



FOR SPECIAL APPLICATIONS
See page 2-2-5-D order numbers
See page 2-2-5-C for layouts



Mechanism also available in black
Knob shown: LZ.B0214 see page 2-2-5-B
Order Knob separate



#24.P30 Pull mechanism 30 mm backset (1 3/16")



Izerwaren
Order #

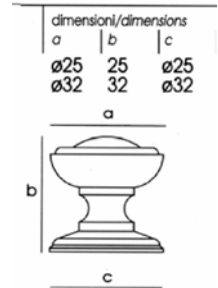
- Pull Mechanism made of aluminum with brass parts.
- Standard: 3/4 inch thick doors
- Backset: 3/4 inch or 1 inch
- Custom backset / thickness on special order.

LZ.C0245

Pearl Knob with separate Pearl rose
Thread size: M 4
Brass material,
Finish:
Gold, Brass, Chrome, Nickel
2 sizes Please specify



#LZ.C0245 Pearl knob with rose
backset 25 mm diameter
Thread size: M 4



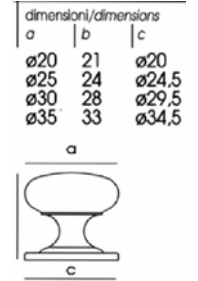
#LZ.C0245 Pearl knob with rose

LZ.B0214

Knob with rose attached
Thread size: M 4
Brass material
Finish:
Gold, Brass, Chrome, Nickel
4 sizes Please specify



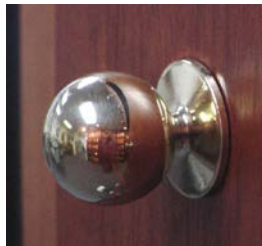
#LZ.B0214 Knob with rose (one piece)
20 mm diameter
Thread size: M 4



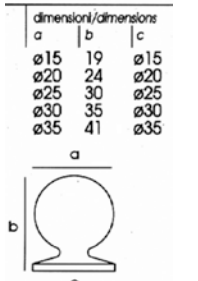
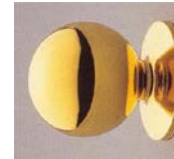
#LZ.B0214 Knob with rose (one piece)
4 sizes

LZ.B0201

Round Knob with rose attached
Thread size: M 4
Brass material
Finish:
Gold, Brass, Chrome, Nickel
5 sizes Please specify



#LZ.B0201 Knob with rose (one piece)
25 mm diameter
Thread size: M 4



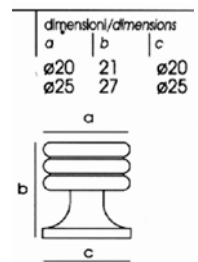
#LZ.B0201 Knob with rose (one piece)
5 sizes

LZ.80203

Ribbed Knob with rose attached
Thread size: M 4
Brass material
Finish:
Gold, Brass, Chrome, Nickel
5 sizes Please specify



#LZ.B0203 Knob with rose (one piece)
25 mm diameter
Thread size: M 4



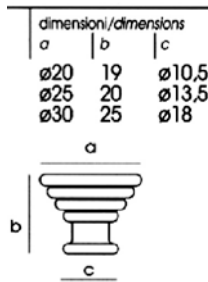
#LZ.B0203 Knob with rose (one piece)
2 sizes

LZ.B0219

Ribbed Knob with rose attached
Thread size: M 4
Brass material
Finish:
Gold, Brass, Chrome, Nickel
2 sizes Please specify



#LZ.B0219 Knob
30 mm diameter
Thread size: M 4

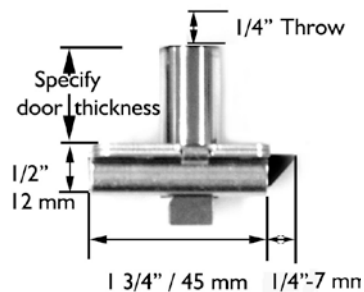


#LZ.B0219 Knob 3 sizes



24.P20

#24.P20 Pull mechanism
Used with depicted knobs
Works like a slam latch
PAGE 2-2-5-A for details



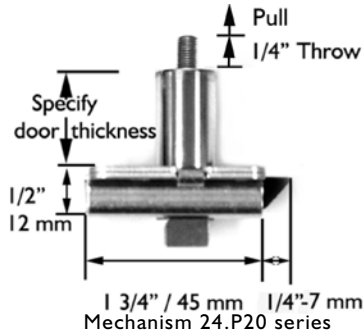
Please see page 2-2-5-D for
installation and
ordering details



Backset 20 mm	Backset 25 mm	Backset 30 mm	BACKSET MECHANISM IN RELATION TO DOOR LAY OUT
CUT HOLE FOR KNOB FROM EDGE OF DOOR AT:			DOOR THICKNESS (= B) ORDER FOR 3/4" INCH DOOR, OR 1" DOORS OR SPECIFY CUSTOM DOOR THICKNESS. UPTO 1 1/2" THICK.
Distance = "A" 20 mm Part no: 24.P20	Distance = "A" 25 mm Part no: 24.P25	Distance = "A" 30 mm Part no: 24.P30 up to 100 mm / 4 inch	<p>Layout 1</p> <p>Set up with flush doors and flush strike Strike #22.098S short #22.98L long</p>
= "A" 29 mm Part no: 24.P20	= "A" 34 mm Part no: 24.P25	= "A" 39 mm Part no: 24.P30 up to 100 mm / 4 inch	<p>Layout 2</p> <p>Set up with overlay doors with angle strike for overlay doors Angle Strike #23.097</p>
= "A" 28 mm Part no: 24.P20 + filler plate	= "A" 33 mm Part no: 24.P25 + filler plate	= "A" 38 mm Part no: 24.P30 + filler plate up to 100 mm / 4 inch	<p>Layout 3</p> <p>Setup with flush doors and roller bolt strike 1/4" filler plate required Roller Strike #23.099</p>
= "A" 35 mm Part no: 24.P20 + filler plate	= "A" 40 mm Part no: 24.P25 + filler plate	= "A" 45 mm Part no: 24.P30 + filler plate up to 100 mm / 4 inch	<p>Layout 4</p> <p>Set up with overlay doors and roller bolt strike 1/4" filler plate required Strike #23.099</p>



Knob #LZ.C0245






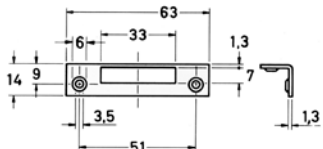


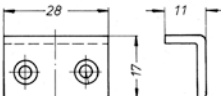

Aluminum body
Knob #LZ.C0245



Black body
Knob #LZ.B0214



Knob #LZ.B0214

Part no.	Pull Mechanism:	Backset:	Door thickness:	Specify Knob thread:
24.P2020	silver or black	3/4" 19 mm	3/4" - 19 mm	M4 or 8/32"
24.P2025	silver or black	3/4" 19 mm	1" - 25 mm	M4 or 8/32"
24.P2032	silver or black	3/4" 19 mm	1 1/4" - 32 mm	M4 or 8/32"
24.P2038	silver or black	3/4" 19 mm	1 1/2" - 38 mm	M4 or 8/32"
24.P2520	silver or black	1" 25 mm	3/4" 19 mm	M4 or 8/32"
24.P2525	silver or black	1" 25 mm	1" - 25 mm	M4 or 8/32"
24.P2532	silver or black	1" 25 mm	1 1/4" - 32 mm	M4 or 8/32"
24.P2538	silver or black	1" 25 mm	1 1/2" - 38 mm	M4 or 8/32"
24.P3020	silver or black	1 3/16" 30 mm	3/4" 19 mm	M4 or 8/32"
24.P3025	silver or black	1 3/16" 30 mm	1" - 25 mm	M4 or 8/32"
24.P3032	silver or black	1 3/16" 30 mm	1 1/4" - 32 mm	M4 or 8/32"
24.P3038	silver or black	1 3/16" 30 mm	1 1/2" - 38 mm	M4 or 8/32"
24.P00	silver or black	Specify Backset (100 mm)	Specify door thickness	M4 or 8/32"
29.020	1/4" thick filler plate	Use with roller bolt strike #22.099	Use with lay out #3 and #4	
29.0001	1 mm thick filler plate	Use for shimming	When needed	
22.098S	Strike plate flush short	Brushed nickel over brass	Use with Lay out # 1	Lip 9 mm long 
22.098L	Strike plate flush Long	Brushed nickel over brass	Use with Lay out # 1	Lip 30 mm 
22.0971	Strike plate angle For overlay doors	Brushed nickel over brass	Use with Lay out # 1 	
22.099	Roller bolt strike	Brushed stainless steel	Use with lay out #3 and #4 Size roller bolt: 1 3/16 x 3/8" 30 mm x 10 mm	
23.012	Strike plate angle	Brushed nickel over brass	Use with layout #2; #3 and #4 	



Izerwaren
Order
numbers

Push Slam latch

Footprint Case 45 x 35 mm
Throw 8 mm or 5/16 inch black coated aluminum
Available in backsets from 3/4" to 7 1/2"
Available for door thickness from 3/4" to 1 1/2"
Available in custom finish (push knob and shaft)

Strike plate: - lip 3/8" or lip 1 3/16"



Strike #22.98S



Strike #22.98L

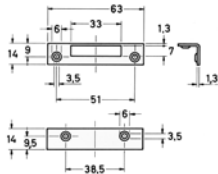
22.098S
22.098L

23.0971

Strike for overlay doors:



23.0971 nickel plated brass



22.099

Roller bolt strike:



#22.099 30 mm x 10 mm stainless steel

Sample installation with cabinet pull:



24.080 #24.080 Cabinet pull; 92 x 37 x 22 mm
3 5/8" x 1 1/2" x 7/8"
Chrome plated

29.2020

Showing with push latch #29.2020



24.4142 Cabinet pull #24.4142; 78 x 30 x 20 mm high
3" x 1" x 3/4"
Threaded for back mounting with metal
screws at 2 1/2" distance

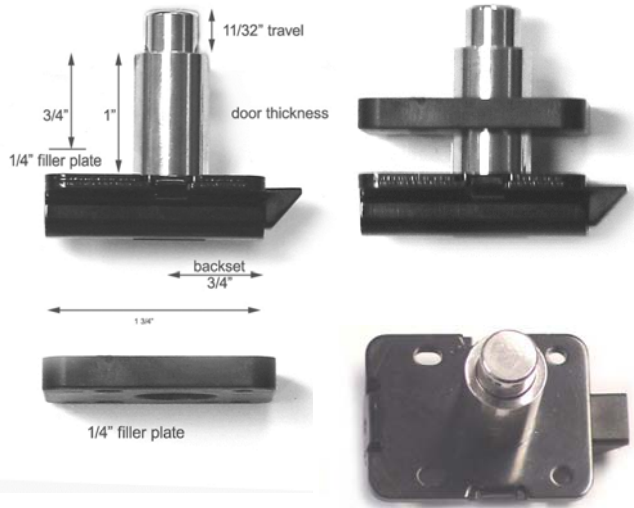
**PLEASE CHECK FOR
INSTALLATION GUIDE ON PAGE 2-2-5-J**

24.081

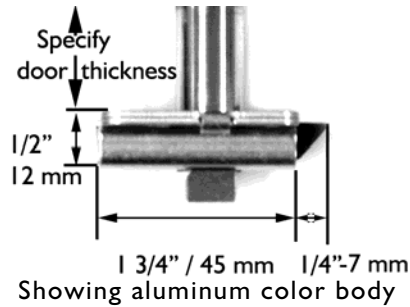


24.080 #24.080 Cabinet pull 92 x 37 x 22 mm
Polished chrome plated brass

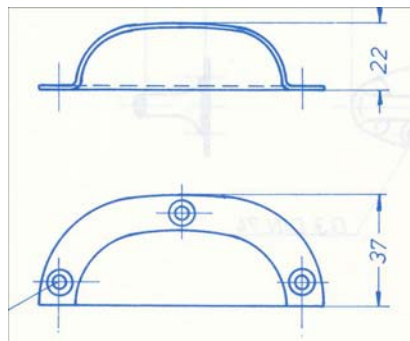
**ALUMINUM MECHANISM, SEAWATER RESISTANT
BLACK COATED, DELRON PARTS**



Mechanism #29.2025 Shown. For 3/4" inch doors
Without filler plate for 1" thick door

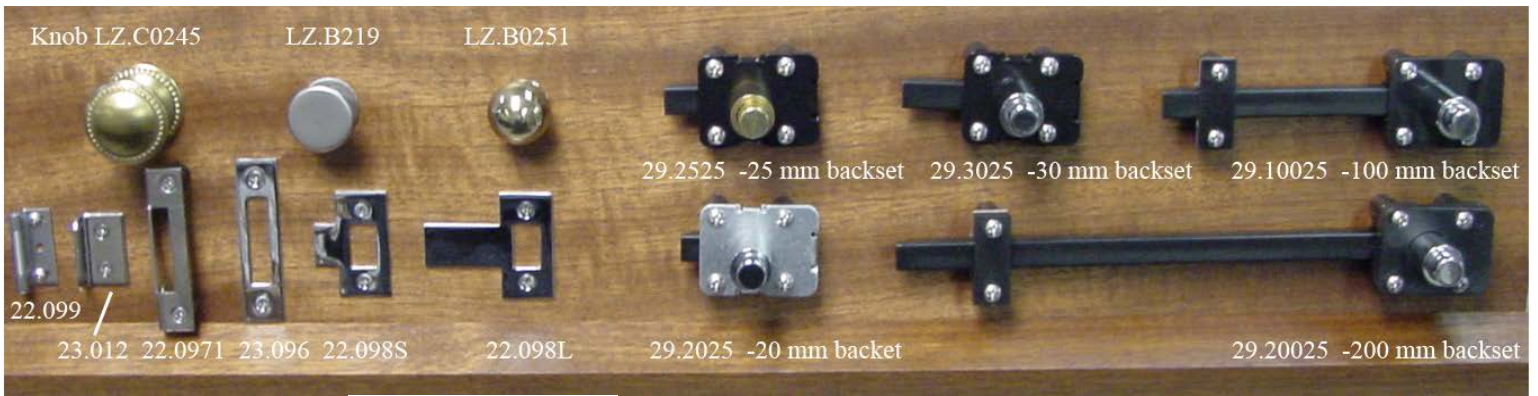


Available with different backset for different door
thickness
aluminum mechanism, seawater resistant
black coated or aluminum color
Delron parts
Push Button and Shaft can be ordered with custom finish



#24.081 Cabinet pull 92 x 37 x 22 mm
Polished brass (no picture showing)

Actual model design may vary

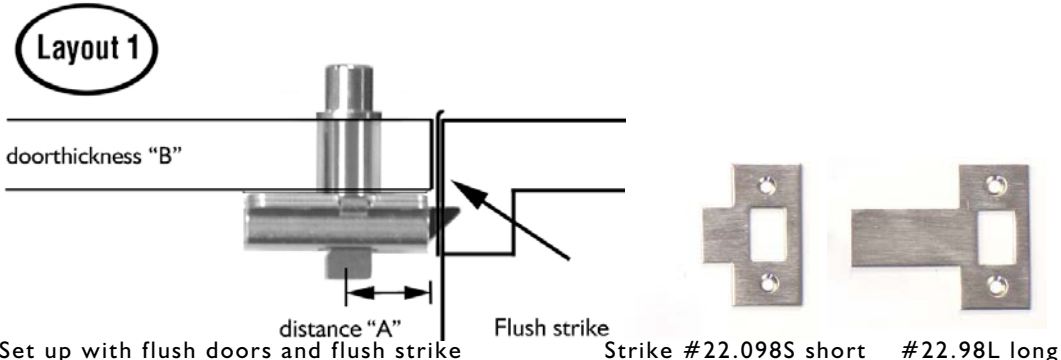
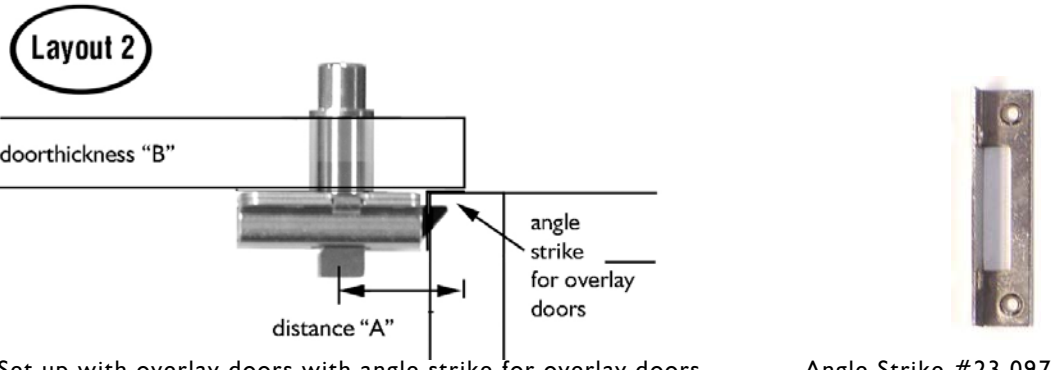
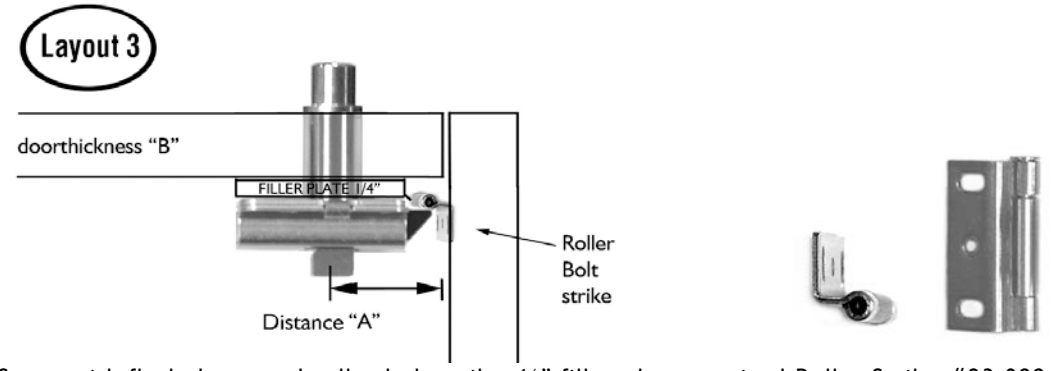
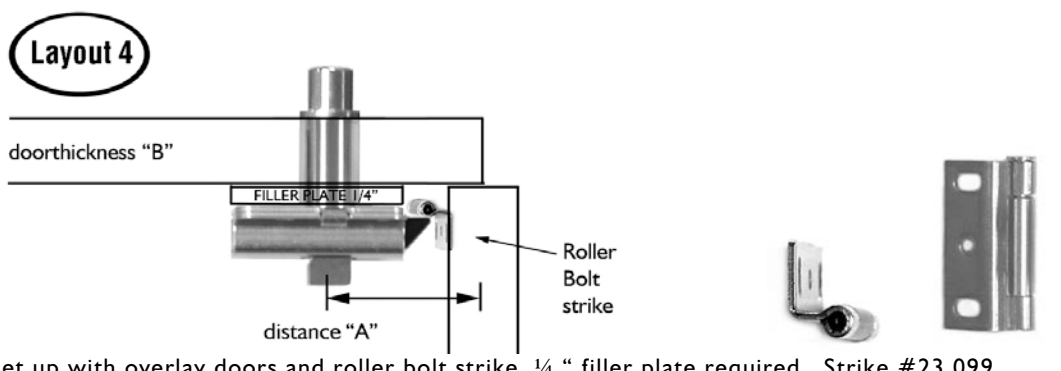


Picture: #24.1297 Pull; #29.2020 series Push latch Black body #29.2025 Body + filler plate 1/4" thick; Aluminum color body #29.2025

PUSH MECHANISM Part no.	Body Finish	Backset:	Door thickness:	Specify FINISH Button & Sleeve	Finish Code
29.2020	silver or black	3/4" - 19 mm	3/4" - 19 mm	BRASS POLISHED	106
29.2025	silver or black	3/4" - 19 mm	1" - 25 mm	BRASS BRUSHED	506
29.2032	silver or black	3/4" - 19 mm	1 1/4" - 32 mm	CHROME POLISHED	266
29.2038	silver or black	3/4" - 9 mm	1 1/2" - 38 mm	CHROME BRUSHED	566
29.2520	silver or black	1" - 25 mm	3/4" 19 mm	NICKEL POLISHED	256
29.2525	silver or black	1" - 25 mm	1" - 25 mm	NICKEL BRUSHED	556
29.2532	silver or black	1" - 25 mm	1 1/4" - 32 mm	GOLD POLISHED	286
29.2538	silver or black	1" - 25 mm	1 1/2" - 38 mm	GOLD BRUSHED	586
29.3020	silver or black	1 3/16" - 30 mm	3/4" 19 mm	DARK BRONZE	546
29.3025	silver or black	1 3/16" - 30 mm	1" - 25 mm		
29.3032	silver or black	1 3/16" - 30 mm	1 1/4" - 32 mm		
29.3038	silver or black	1 3/16" - 30 mm	1 1/2" - 38 mm		
29.0000	silver or black	Specify Backset	Specify door thickness	Please specify	

24.020	1/4" filler plate	Use with roller bolt strike #22.099	6 X 35 X 45 mm	
24.0001	1 mm filler plate	For shimming out body	1 X 35 X 45 mm	
24.0002	1/4" spacer for guide	For shimming latch bolt		
24.0003	1 mm spacer for guide	For shimming latch bolt		
24.0004	Guide for long bolt	aluminum		
24.0005	1/4" spacer for knob	For shimming knob	6 X 10 mm diameter	
24.0006	Threaded rods M4	Stainless steel		
22.098S	Strike plate flush short	Brushed nickel over brass	 Lip 9 mm long	
22.098L	Strike plate flush Long	Brushed nickel over brass	 Lip 30 mm	
22.0971	Strike plate angle For overlay doors	Brushed nickel over brass	63 x 14 x 10 mm	
22.096	Strike plate No lip	Brushed nickel over brass	63 x 13 mm	
22.099	Roller bolt strike	Brushed stainless steel	30 mm x 10 mm	
23.012	Strike plate angle	Brushed nickel over brass		



Backset t 20 mm	Backset 25 mm	Backset 30 mm	BACKSET MECHANISM IN RELATION TO DOOR LAY OUT
CUT HOLE FOR KNOB FROM EDGE OF DOOR AT:			DOOR THICKNESS (= B) ORDER FOR 3/4" INCH DOOR, OR 1" DOORS OR SPECIFY CUSTOM DOOR THICKNESS. UPTO 1 1/2" THICK.
20mm Part no. 29.2020	25 mm Part no. 29.2520	30 mm Part no. 29.3020 Up to 100 mm / 7 inch	Layout 1  <p>doorthickness "B"</p> <p>distance "A"</p> <p>Flush strike</p> <p>Set up with flush doors and flush strike Strike #22.098S short #22.98L long</p>
31mm Part no. 29.2020	36 mm Part no. 29.2520	41 mm Part no. 29.3020 Up to 100 mm / 7 inch	Layout 2  <p>doorthickness "B"</p> <p>distance "A"</p> <p>angle strike for overlay doors</p> <p>Set up with overlay doors with angle strike for overlay doors Angle Strike #23.097</p>
28mm Part no. 29.2020	33 mm Part no. 29.2520	38 mm Part no. 29.3020 Up to 100 mm / 7 inch	Layout 3  <p>doorthickness "B"</p> <p>FILLER PLATE 1/4"</p> <p>Distance "A"</p> <p>Roller Bolt strike</p> <p>Set up with flush doors and roller bolt strike 1/4" filler plate required Roller Strike #23.099</p>
37mm Part no. 29.2020	42 mm Part no. 29.2520	47 mm Part no. 29.3020 Up to 100 mm / 7 inch	Layout 4  <p>doorthickness "B"</p> <p>FILLER PLATE 1/4"</p> <p>distance "A"</p> <p>Roller Bolt strike</p> <p>Set up with overlay doors and roller bolt strike 1/4" filler plate required Strike #23.099</p>



Order numbers

- Cabinet Rim lock, backset 25 mm - 1"
- Minimum door thickness 19 mm ~ 3/4"
- Strike plate not included with lock
- Both handed

FOR 3/4" THICK DOORS

SET Pushbutton lock: Mechanism + button + ring + angle strike. Polished chrome:

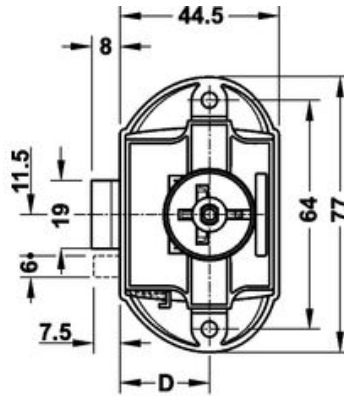


SET # 23.191.. Mechanism, button, ring, angle strike plate

25.191....

25.191.106	lacquered brass
25.191.266	chromeplated
25.191.506	lacq. brush. brass
25.191.566	brushed chrome
25.191.556	brushed nickel
25.191.286	polished gold
25.191.586	brushed gold
25.191.508	brushed stainless
25.191.308	polished stainless

23.225 Push Button Mechanism separately
Case: 78 mm x 45 mm x 20 mm thick
Nickel plated plastic with zamac parts
For use with push-button and push-button-ring.

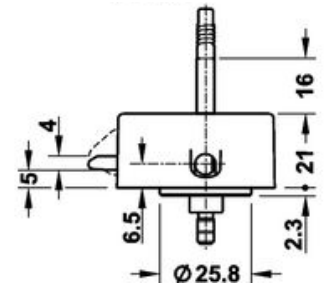


#23.225 Push button mechanism; backset 1"/25 mm Throw Bolt: 3/8"

23.052 Strike plate flush (225FLU)
58 mm x 10 mm, nickel plated brass



23.072 Strike plate angle, steel (225ANG)
40 mm x 12 mm x 12 mm; Nickel plated steel



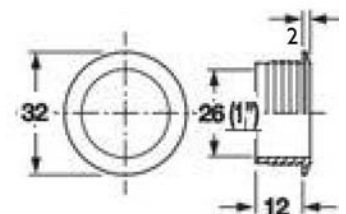
#23.225B: Allows for buttons on both sides

25.125.266 Push Button for thin wall ring
22.5 mm Ø x 19 mm M6 thread
Chrome plated brass



Depicted: Button & Ring # 25.125.266 Button polished chrome
#25.125.308 button polished stainless steel
#25.135.308 ring 26 mm polished stainless steel.

25.135.266 Ring for Push button set
26 mm Ø OD x 12 mm
(Make hole of 1" with drill bit or router)
Chrome plated brass



#25.135.266 Ring - Thin Wall Chrome 26 mm / 1 inch diameter

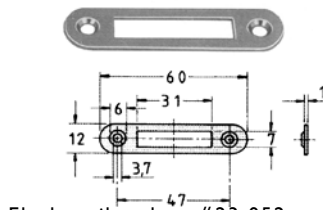
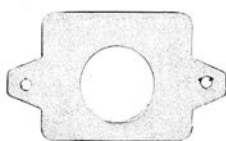
23.000 Fostner bit 1" mm diameter
for drilling holes for rings in wood panels



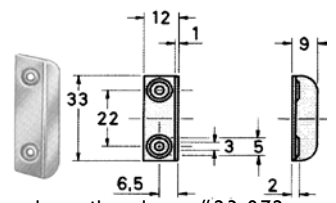
23.015 Extention 5/8" 1 1/2" thick door
Screws into button



23.067 Filler plate -1 mm thick
3 filler plates / shims provid approx. 1/8"



Flush strike plate #23.052



angle strike plate #23.072

Please Specify Finish Button and Ring



Izerwaren
Order
numbers

3 point locking mechanism for light cabinet doors
up to 6' 7" high
Can be used as 2 point locking (up and down)
Can be used as 1 point locking (up or down)

23.225 **Push Button Mechanism** (details page 2-3)

23.002 **Espagnolette bolt sets**

1 set:
2 rods of 6 mm x 1000 mm
2 hooks
2 pins
2 guides
Rods nickel plated steel, other parts nickel plated
dycast.

PARTS SEPARATE:

23.052 **Strike flush** (225FLU)

58 mm x 10 mm, nickel plated brass

23.072 **Strike plate angle** (225ANG)

40 mm x 12 mm x 12 mm; Nickel plated steel

23.012 **Strike plate angle** (226ANG)

30 mm x 13 mm x 8 mm; nickel plated brass

23.015 **Extension Brass** (225EX)

15 mm (5/8") To allow for door thickness of approx.
1 1/4" Use lock-tite to arrest button

23.005 **Extension Brass** (228EX)

5 mm To allow for door thickness 24 mm
(Hollow core doors + veneer).

23.008 **Extension Brass** (227EX)

8 mm To allow for door thickness of 27 mm
(for drawers with hollow core faces + veneer)

23.067 **Filler plates clear plastic**

1 mm thick filler plates; use when cabinet door
thickness is less then 19 mm ~ 3/4".

23.415 **Hooks**, set of two, mirror image,
specify top or bottom

23.3151 **Guides for hooks**, nickel plated diecast

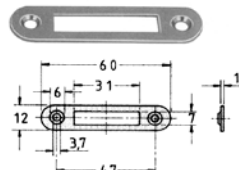
23.065 **Rods** 6 or 8 mm diameter, 1000 mm long, steel
nickel plated. Other sizes on request available

23.011 **Guides for rod**

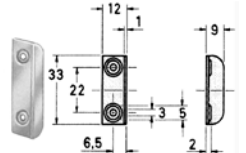
guides for rod 6 mm diameter, nickel plated diecast

23.030 **Strike pin on plate** (225PIN)

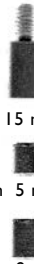
to arrest hooks, to be mounted on door sill;
adjustable.



#23.052 Strike plate flush for lock



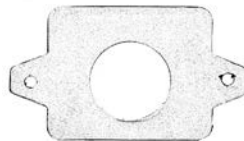
#23.072 Strike plate angle for lock



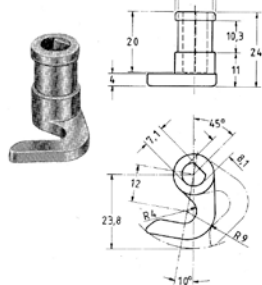
#23.015 Extension 15 mm - 5/8 with thread

#23.005 Extension 5 mm - glue in button

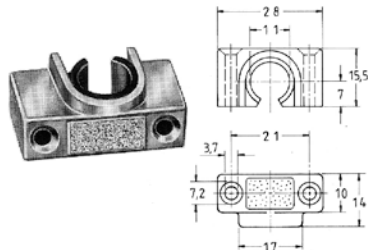
#23.008 Extension 8 mm glue in button



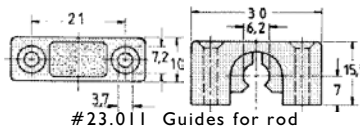
#23.067 Filler plate 1 mm



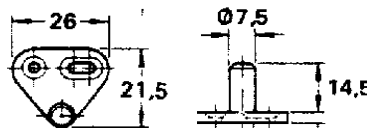
#23.415 Hooks, set of two



#23.3151 Guides for hooks



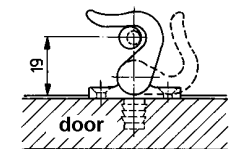
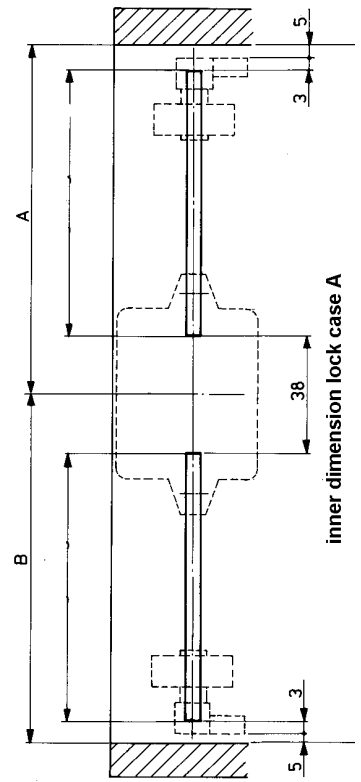
#23.011 Guides for rod



#23.030 Strike pin on plate for hooks



Three point lock with
espagnolette bolts and hooks
top and/or bottom locking



Espagnolette bolts diagram
For up and down or
up or down locking

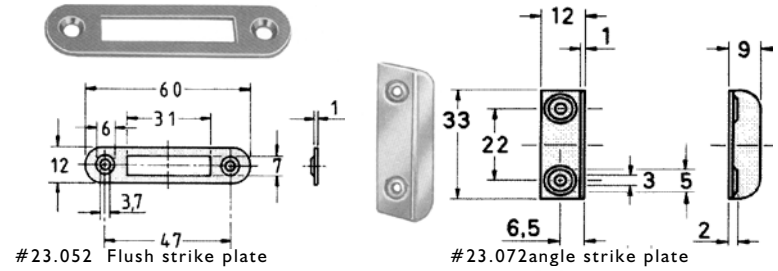
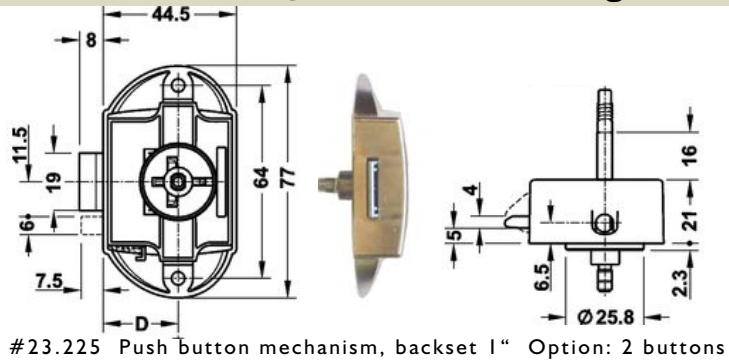


Izerwaren
Order
numbers

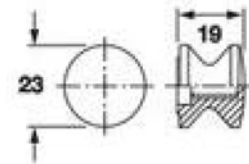
- Cabinet Rim lock, backset 25 mm - 1"
- Minimum door thickness 19 mm ~ 3/4"
- Strike plate not included with lock
- Both handed

**FOR 3/4" AND 5/8" THICK DOORS;
PLASTIC BUTTON AND RING**

- 23.225 **Push Button Mechanism (22522)**
Case: 78 mm x 45 mm x 20 mm thick
Nickel plated plastic with zamac parts
For use with push-button and push-button-ring.
- 23.052 **Strike plate flush (225FLU)**
58 mm x 10 mm, nickel plated brass
- 23.072 **Strike plate angle (225ANG)**
40 mm x 12 mm x 12 mm; Nickel plated steel
- 23.012 **Strike plate angle (226ANG)**
30 mm x 13 mm x 8 mm; nickel plated brass
- 23.933 **Push button Plastic Polished Nickel**
22.5 mm x 19 mm x M6 (13/16" x 3/4")
- 23.934 **Push button Plastic Satin Nickel**
22.5 mm x 19 mm x M6 (13/16" x 3/4")
- 23.935 **Push button Plastic Polished Brass Color**
22.5 mm x 19 mm x M6 (13/16" x 3/4")

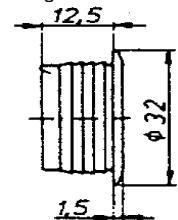


- For Material 3/4" thick:**
- 23.945 **Ring Plastic Polished Nickel**
26 mm x 18 mm (1 3/16" x 23/32")
(Make hole of 1 3/16" with drill bit or router)
for 3/4" doors: thin ring
- 23.946 **Ring Plastic Satin Nickel**
26 mm x 18 mm (1 3/16" x 23/32")
(Make hole of 1 3/16" with drill bit or router)
for 3/4" doors: thin ring
- 23.947 **Ring Plastic Polished Brass (color)**
26 mm x 18 mm (1 3/16" x 23/32")
(Make hole of 1 3/16" with drill bit or router)
for 3/4" doors: thin ring

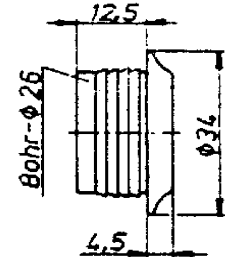


Plastic Button for thin wall ring

- For Material 5/8" thick: (plastic only)**
- 23.941 **Ring Plastic Polished Nickel**
26 mm x 18 mm (1 3/16" x 23/32")
(Make hole of 1 3/16" with drill bit or router)
for 5/8" doors: thick ring
- 23.942 **Ring Plastic Satin Nickel**
26 mm x 18 mm (1 3/16" x 23/32")
(Make hole of 1 3/16" with drill bit or router)
for 5/8" doors: thick ring
- 23.943 **Ring Plastic Polished Brass (color)**
26 mm x 18 mm (1 3/16" x 23/32")
(Make hole of 1 3/16" with drill bit or router)
for 5/8" doors: thick ring



Plastic Ring for 3/4" thick material; drill hole 26 mm diameter



Plastic Ring for 5/8" thick material; drill hole 26 mm diameter

- 23.000 **Fostner bit 1" mm diameter**
for drilling holes for thin rings in wood panels

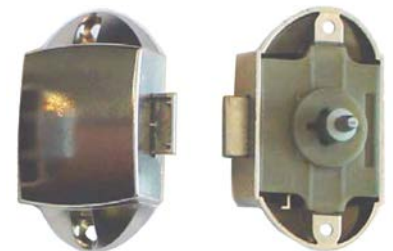


- 23.015 **Extention 5/8" | 1/2" thick doors**
Screws into button



extension #23.015 filler plate #23.067

- 23.067 **Filler plate -1 mm thick**
3 filler plates provide aprox. 1/8" filling



mechanism #23.225

FOR BRASS BUTTONS PLEASE SEE PAGE 2-3



Izerwaren
Order
numbers

- Cabinet Rim lock, backset 15 mm - "
- Minimum door thickness 16 mm ~ "
- Both handed

CUSTOM ORDERS ONLY MINIMUM QUANTITY 50X

24.2259 **SET: Mechanism, Button, Ring, Strike**
Backset: 15 mm or 5/8"
Door thickness: 16 mm or 22/32"

24.225 **Push Button Mechanism**
 Case: 78 mm x 45 mm x 20 mm thick
 Nickel plated plastic with zamac parts
 For use with push-button and push-button-ring.

24.125 **Push Button Brass**
 22 mm x 20 mm x M6 (7/8" x 3/4" x M6)
 Specify finish, see page 2-3 in stock

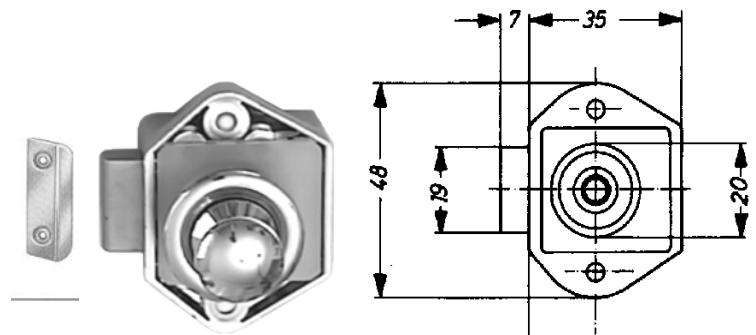
24.435 **Ring Brass "ANGLE"**
 20 mm x 9 mm (3/4" x 3/8")
 (Make hole of 20 mm / 25/32" with drill bit or router)
 Specify finish, see page 2-3

24.971 **Push Button Plastic, satin nickel**
 16 mm x 29 mm x M6 (5/8" x 3/4" x M6)
 Specify finish, see page 2-3

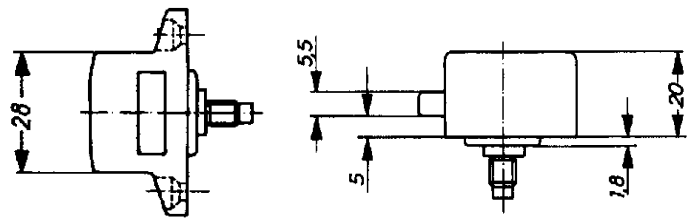
24.973 **Push button Ring plastic, satin nickel**
 22 mm x 9 mm (7/8" x 3/8")
 (Make hole of 7/8" with drill bit or router)
 Specify finish, see page 2-3

23.974 **Push Button plastic brass color**
 16 mm x 29 mm x M6 (5/8" x 3/4" x M6)
 Specify finish, see page 2-3

23.975 **Push button Ring plastic, brass color**
 30 mm x 18 mm (1 3/16" x 23/32")
 (Make hole of 1 3/16" with drill bit or router)
 Specify finish, see page 2-3

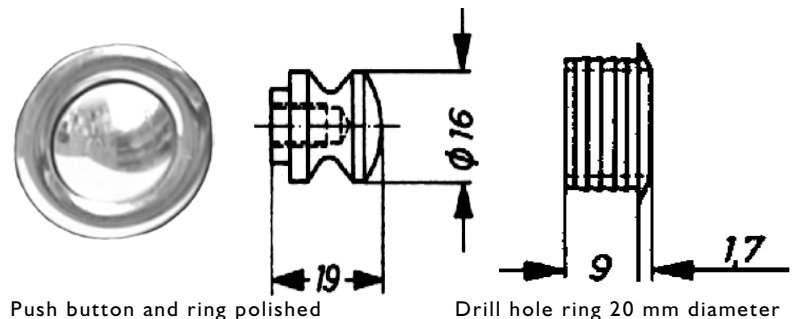
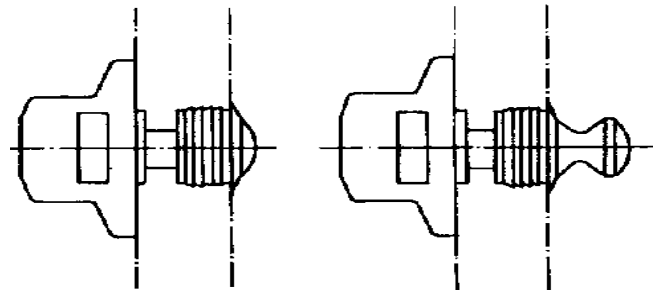


#24.2259 Mechanism set shown with button and ring and angle strike



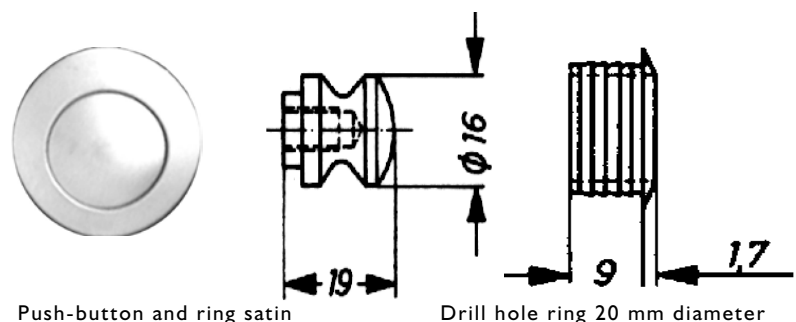
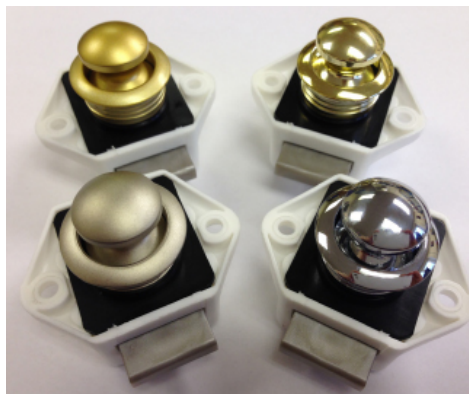
closed

open



Push button and ring polished

Drill hole ring 20 mm diameter



Push-button and ring satin

Drill hole ring 20 mm diameter



ORDER SET Mechanism WITH BIG ROUND BUTTON & SQUARE RING

2-3-5 C-A

"A SET MAKES THE INSTALLATION A SUCCESS"

SET CONSIST OF THE FOLLOWING PARTS:

ORDER SETS:

Polished Brass Lacquered button & square ring

25.2125: 25 mm backset mechanism with installation kit

Polished Gold Plated button & square ring

25.21251: 25 mm backset mechanism with installation kit

Polished Chrome Plated button & square ring

25.21252: 25 mm backset mechanism with installation kit

Satin Chrome button & square ring

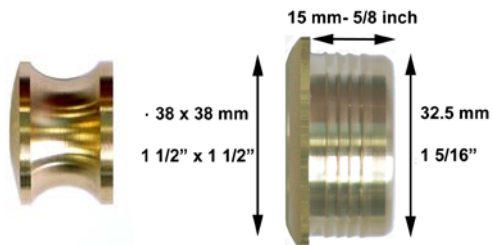
25.21253: 25 mm backset mechanism with installation kit

Polished Nickel button & square ring

25.21254: 25 mm backset mechanism with installation kit

Satin Nickel button & square ring

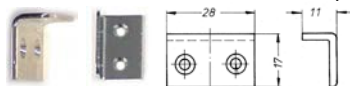
25.21255: 25 mm backset mechanism with installation kit



Button diameter: 28.2 mm or 1 1/8"

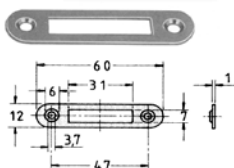
Strike plate, angle (included)

28 mm x 17 mm x 11 mm; nickel plated brass



Strike plate flush (order separate)

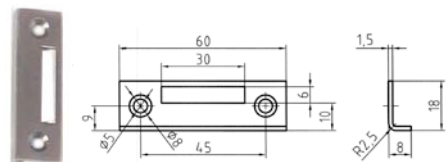
60 mm x 12 mm, nickel plated brass



23.052

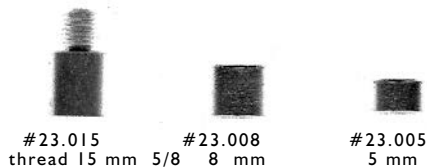
Strike for overlay doors (separate)

Stainless steel 60 x 18 x 8 mm



23.097

EXTENSIONS:

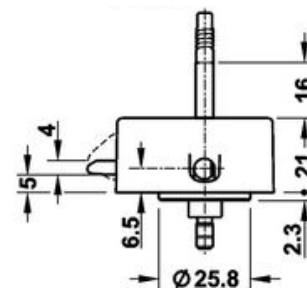
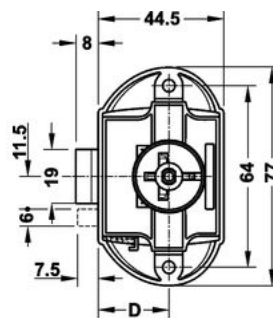


Button #24.812
Satin Nickel finish

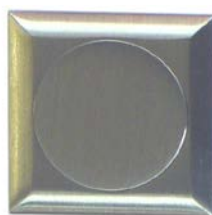
Ring #24.813
Satin Nickel finish

Mechanism:
#23.225
25 mm backset

Strike angle:
#23.012



MECHANISM D=1" BACKSET; DOORTHICKNESS 3/4".



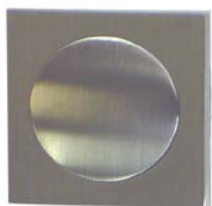
#24.811 + #24.813
Button flat + ring curved



#24.821 + #24.813
Button round + ring curved



#24.831 + #24.813
Button stepped + ring curved



#24.821 + #24.812
Button round + ring flat



#24.811 + #24.812
Button flat + ring flat



#24.831 + #24.812
Button stepped + ring flat

Pictures: Finish: Satin Nickel Material: Brass



"A SET MAKES THE INSTALLATION A SUCCESS"

ORDER SETS:

With lacquered brass oval button & ring

24.21251: 25 mm backset mechanism with installation kit

With polished chrome oval button & ring

24.21252: 25 mm backset mechanism with installation kit

With satin chrome oval button & ring

24.21253: 25 mm backset mechanism with installation kit

With polished nickel oval button & ring

24.21254: 25 mm backset mechanism with installation kit

With satin nickel oval button & ring

24.21255: 25 mm backset mechanism with installation kit

SET CONSIST OF THE FOLLOWING PARTS:



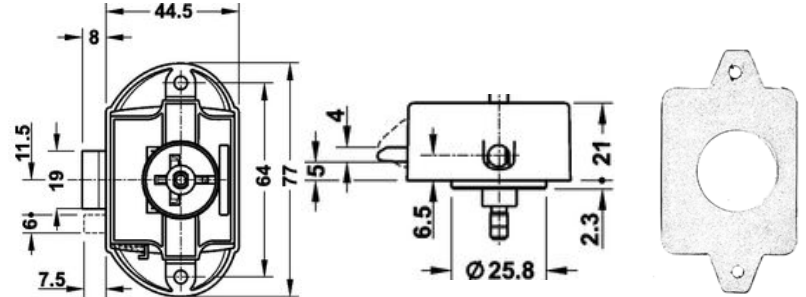
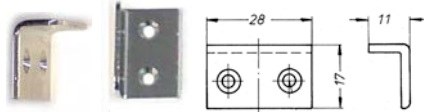
Button #24.121
Oval brass

Ring #24.122
Oval brass

Mechanism:
#23.225
25 mm backset

Strike #23.012

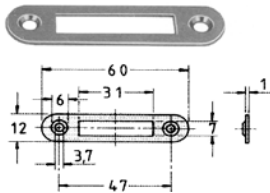
23.012 **Strike plate angle (included)**
28 mm x 17 mm x 11 mm; nickel plated brass



#23.225 mechanism, plastic nickel coated

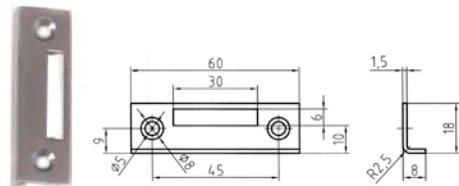
#23.067 Filler plate 1 mm

23.052 **Strike plate flush (order separate)**
60 mm x 12 mm, nickel plated brass



MECHANISM D = 1" BACKSET; DOOR THICKNESS 3/4".

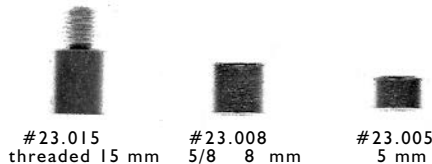
23.097 **Strike for overlay doors (separate)**
Stainless steel 60 x 18 x 8 mm



OVAL BUTTON AND RING INCLUDED IN SET:



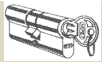
EXTENSIONS:



#23.015 threaded 15 mm

#23.008 5/8 8 mm

#23.005 5 mm



Izerwaren
Order
numbers

- Cabinet Rim lock, backset 15 mm - "
- Minimum door thickness 16 mm ~ "
- Both handed

CUSTOM ORDERS ONLY MINIMUM QUANTITY 50X

24.2259 **SET: Mechanism, Button, Ring, Strike**
Backset: 15 mm or 5/8"
Door thickness: 16 mm or 22/32"

24.225 **Push Button Mechanism**
 Case: 78 mm x 45 mm x 20 mm thick
 Nickel plated plastic with zamac parts
 For use with push-button and push-button-ring.

24.125 **Push Button Brass**
 22 mm x 20 mm x M6 (7/8" x 3/4" x M6)
 Specify finish, see page 2-3 in stock

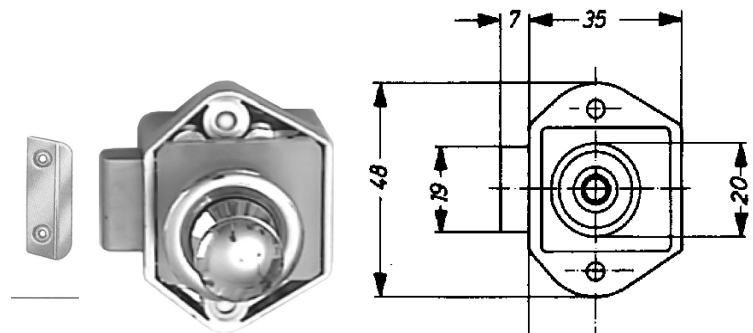
24.435 **Ring Brass "ANGLE"**
 20 mm x 9 mm (3/4" x 3/8")
 (Make hole of 20 mm / 25/32" with drill bit or router)
 Specify finish, see page 2-3

24.971 **Push Button Plastic, satin nickel**
 16 mm x 29 mm x M6 (5/8" x 3/4" x M6)
 Specify finish, see page 2-3

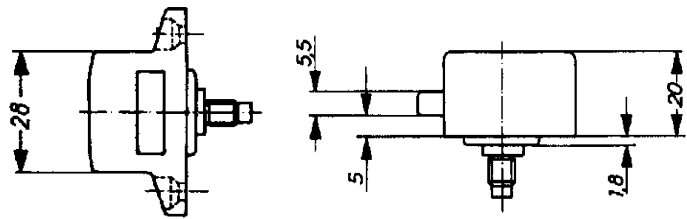
24.973 **Push button Ring plastic, satin nickel**
 22 mm x 9 mm (7/8" x 3/8")
 (Make hole of 7/8" with drill bit or router)
 Specify finish, see page 2-3

23.974 **Push Button plastic brass color**
 16 mm x 29 mm x M6 (5/8" x 3/4" x M6)
 Specify finish, see page 2-3

23.975 **Push button Ring plastic, brass color**
 30 mm x 18 mm (1 3/16" x 23/32")
 (Make hole of 1 3/16" with drill bit or router)
 Specify finish, see page 2-3

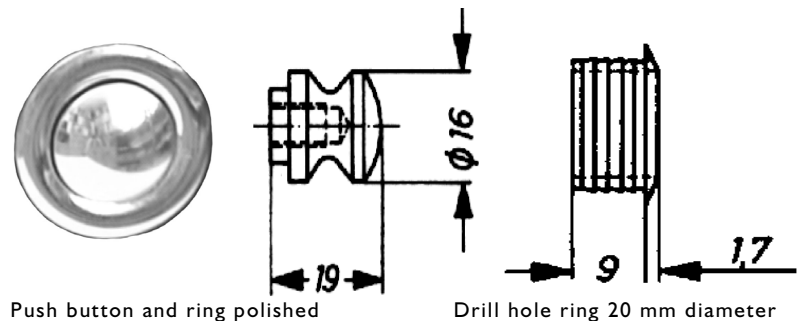
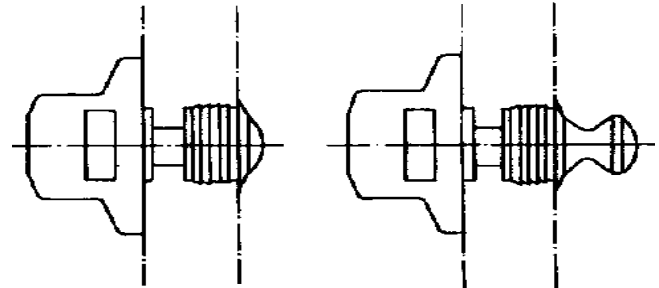


#24.2259 Mechanism set shown with button and ring and angle strike



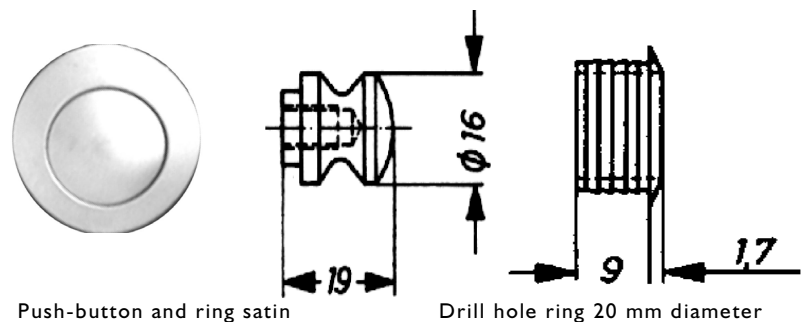
closed

open



Push button and ring polished

Drill hole ring 20 mm diameter



Push-button and ring satin

Drill hole ring 20 mm diameter



ORDER **BUTTONS AND RINGS** for Aluminum push button mechanism separately

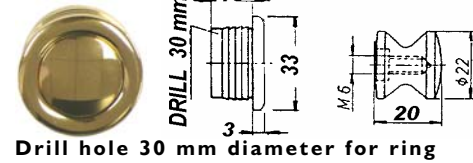
2-3-5 E



- #24.552: Button polished stainless steel
- #24.553: Ring polished stainless steel
- #24.552.1: Button polished titanium gold coated stainless steel
- #24.553.1: Ring polished titanium gold coated stainless steel
- #24.552.2: Button satin stainless steel
- #24.553.2: Ring satin stainless steel



- #24.125.106: Button polished lacquered brass
- #24.135.106: Ring polished lacquered brass
- #24.125.298: Button titanium coated gold color
- #24.135.298: Ring titanium coated gold color



- #24.125.296: Button satin lacquered brass color
- #24.135.296: Ring satin lacquered brass color
- #24.125.298: Button satin titanium coated gold color
- #24.135.298: Ring satin titanium coated gold color



- #24.125.266: Button polished chrome plated brass
- #24.135.266: Ring polished chrome plated brass
- #24.125.566: Button satin chrome plated brass
- #24.135.566: Ring satin chrome plated brass
- #24.125.266: Button polished nickel plated brass
- #24.135.266: Ring polished nickel plated brass
- #24.125.566: Button satin nickel plated brass
- #24.135.566: Ring satin nickel plated brass



- #24.125.176: Button red copper plated brass
- #24.135.176: Ring red copper plated brass



- #24.125.546: Button satin dark bronze
- #24.135.546: Ring satin dark bronze



- #24.121.106: Button polished lacquered brass
- #24.122.106: Ring polished lacquered brass
- #24.121.266: Button polished chrome plated brass
- #24.122.266: Ring polished chrome plated brass
- #24.121.566: Button satin chrome plated brass
- #24.122.566: Ring satin chrome plated brass
- #24.121.256: Button polished nickel plated brass
- #24.122.256: Ring polished nickel plated brass
- #24.121.556: Button satin nickel plated brass
- #24.122.556: Ring satin nickel plated brass

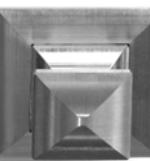


- #23.705.260: Button polished chrome plated die cast brass
- #24.715.260: Ring polished chrome plated die cast brass
- #23.705.280: Button polished gold plated die cast brass
- #24.715.280: Ring polished gold plated die cast brass

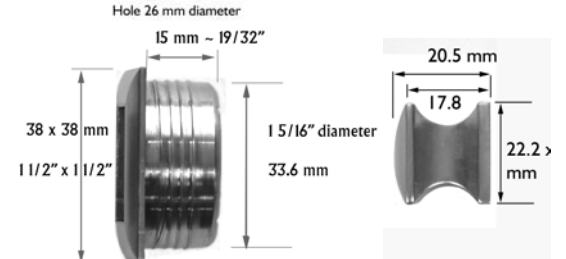


- #23.450.260: Button polished chrome plated brass
- #24.451.260: Ring polished chrome plated brass
- #23.450.280: Button polished gold plated brass
- #24.451.280: Ring polished gold plated brass

Drill hole 26 mm diameter for ring



- #24.791 square button brass
 - #24.792 ring brass
- Call or email office for finish ID and codes

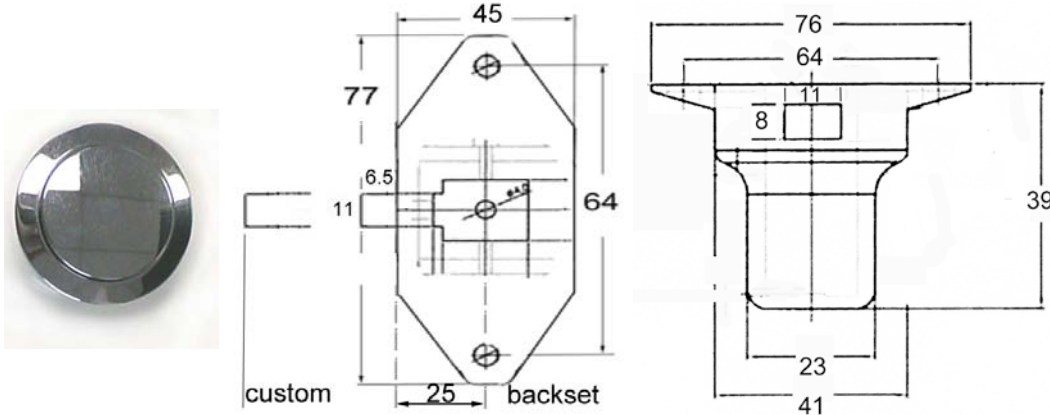


for Exceptional European Hardware

ALL PARTS DESIGNED TO WORK WITH IZERWAREN ALUMINUM MECHANISM ONLY



**SLAM LATCH WITH PUSH/PULL MECHANISM
WITH 1 INCH BACKSET FOR 3/4 INCH THICK DOORS**



#25.5275 SET with S / S push button set; 25 mm backset
Drill hole 25 mm diameter for ring



#25.525
Standard Mechanism
Backset 25 mm

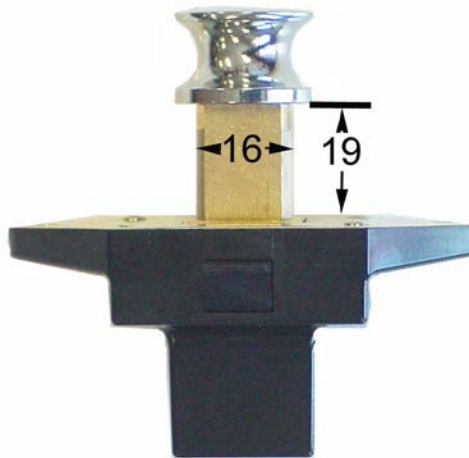
HOW TO OPERATE:

<p>① Close drawer or door <i>(slam latch action; hands free action)</i></p>	<p>② Push to have button retracted</p>	<p>③ Push to have button pop out</p>	<p>④ Pull Button To open drawer or door <i>(latch retracts)</i></p>



Front view "Pulled" extended
Latch bolt retracted, door opens

Position: ④



Front view extended
Button extended, door locks

Position: ③



Side view compressed
Button flush compressed, door locks

Position: ②

Door Thickness can vary from 5/8" to 1 1/4" or more by use from fillerplates and spacers

Backset can vary from 3/4" to 3" or more by extending the latchbolt. Specify when order.



"A SET MAKES THE INSTALLATION A SUCCESS"

SET CONSIST OF THE FOLLOWING PARTS:

ORDER SETS:

With polished stainless steel button & ring

- 25.5275: 25 mm backset mechanism with installation kit
- 25.5995: Custom backset mechanism with installation kit

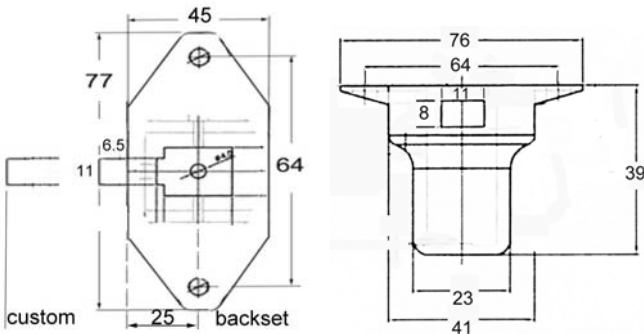
With satin stainless steel button & ring

- 25.5279: 25 mm backset mechanism with installation kit
- 25.5999: Custom backset mechanism with installation kit

Parts separate:

- 25.525: 25 mm backset mechanism only
- 22.9820: strike plate with lip; polished chrome
- 24.552: button stainless steel 316 mirror polished
- 24.553: ring stainless steel 316 mirror polished
- 24.559: spacer for button 6 mm
- 24.569: spacer for button 1 mm
- 24.557: Filler plate for body

More buttons & rings: See page 2-4-5 & 2-4-6



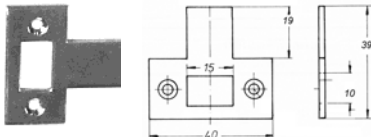
Dimensions mechanism in mm.

Roller bolt Strike plate



- 22.099 #22.099 Roller Bolt strike; 30 mm x 10 mm stainless steel

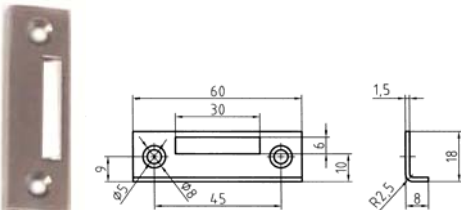
Strike plate for 3/4 inch doors



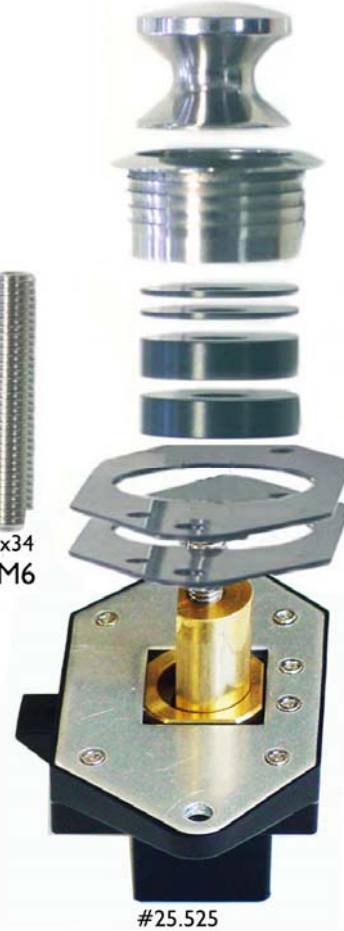
- 22.9820 #22.9820 strike for 3/4 inch thick doors
- 22.098S #22.098S strike for 5/8 inch doors
- 22.098L #22.098L strike for 1 1/4 inch doors

Strike for overlay doors (separate)

Stainless steel 60 x 18 x 8 mm



- 23.097 #23.097 strike plate stainless steel. For use with overlay doors applications



Button #24.552
316 stainless steel

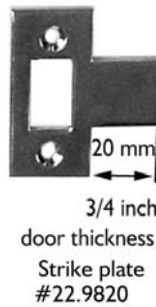
Ring #24.553
316 stainless steel

2x Button Spacers
#24.569

2x Button Spacer
#24.559
6 mm (1/4") thick

2x Filler Plate
#24.557
1 mm thick

Mechanism:
Select backset
when ordering
standard:
25 mm backset
#25.525



SPECIFY BACKSET MECHANISM

STANDARD BACKSET: 25 MM OR 1 INCH.

STAINLESS STEEL BUTTON AND RING INCLUDED IN SET:



Drill hole 26 mm diameter for ring

FOR MORE Buttons and Rings and Finishes, Please see page 2-4-5 AND 2-4-6



SET CONSIST OF THE FOLLOWING PARTS:

ORDER SETS:

With Polished Brass button & ring

- 25.6253: 25 mm backset mechanism with installation kit
- 25.6995: Custom backset mechanism with installation kit

With Satin Brass button & ring

- 25.6379: 25 mm backset mechanism with installation kit
- 25.6999: Custom backset mechanism with installation kit

With Satin Nickel button & ring

- 25.6379: 25 mm backset mechanism with installation kit
- 25.6998: Custom backset mechanism with installation kit

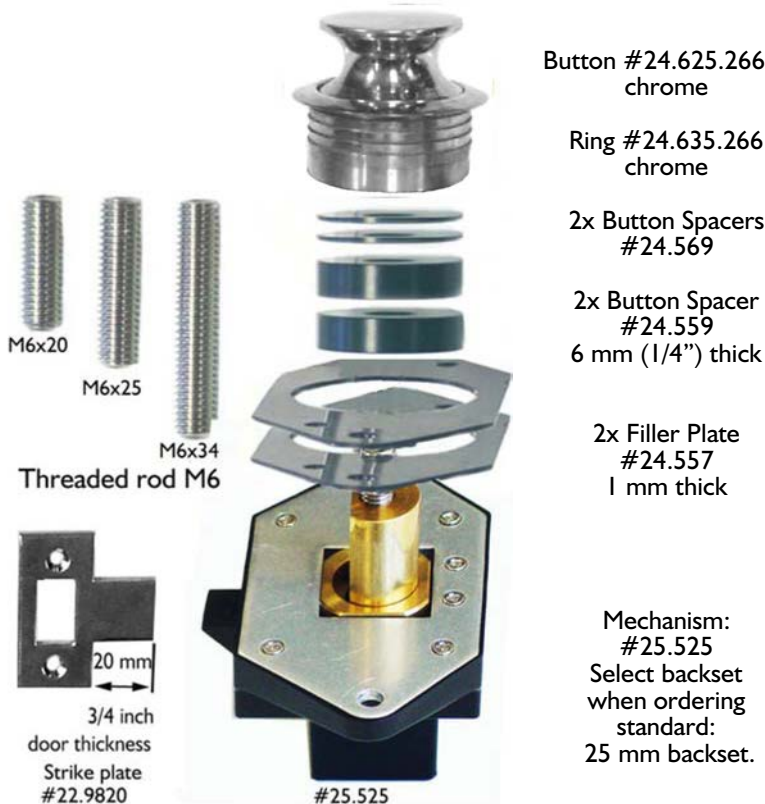
With Polished Chrome button & ring

- 25.7254: 25 mm backset mechanism with installation kit
- 25.7999: Custom backset mechanism with installation kit

Parts separate:

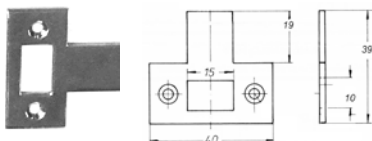
- 24.525: 25 mm backset mechanism only
- 24.9820: strike plate with lip; polished chrome
- 24.125.106: button brass polished
- 24.135.106: ring brass polished
- 24.125.266: button chrome polished
- 24.135.266: ring chrome polished
- 24.559: spacer for button 6 mm
- 24.569: spacer for button 1 mm
- 24.557: filler plate for body 1 mm

Please see page 2-4-5 for more buttons & rings



**SPECIFY BACKSET MECHANISM
STANDARD BACKSET: 25 MM OR 1 INCH.**

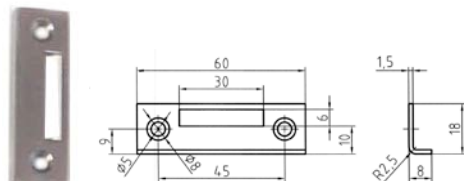
Strike plate for 3/4 inch doors



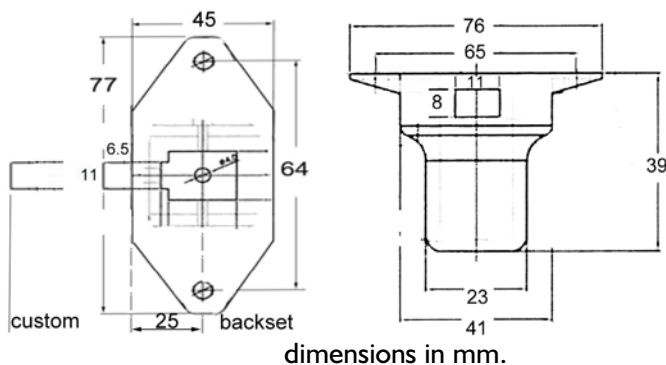
- 22.9820 #22.9820 strike for 3/4 inch thick doors
- 22.098S #22.098S strike for 5/8 inch doors
- 22.098L #22.098L strike for 1 1/4 inch doors

Strike for overlay doors (separate)

Stainless steel 60 x 18 x 8 mm

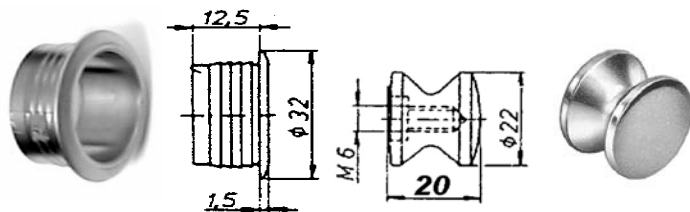


- 23.097 #23.097 strike plate stainless steel. For use with overlay doors applications. Please order separate



dimensions in mm.

STAINLESS STEEL BUTTON AND RING INCLUDED IN SET:



This set allows for installation for any door thickness from 1 1/16 To 1 1/4 inch thick doors, by simply applying the filler plates, button spacers and threaded rods in any desired combination.
 Angle strike #23.012 is included with the set. Specify other strikes as needed.
 Separate buttons, rings, parts list of page and page



SET CONSIST OF THE FOLLOWING PARTS:

ORDER SETS:

With Polished Brass button & ring

- 25.8253: 25 mm backset mechanism with installation kit
- 25.8995: Custom backset mechanism with installation kit

With Satin Brass button & ring

- 25.8379: 25 mm backset mechanism with installation kit
- 25.8999: Custom backset mechanism with installation kit

With Satin Nickel button & ring

- 25.8479: 25 mm backset mechanism with installation kit
- 25.8799: Custom backset mechanism with installation kit

With Polished Chrome button & ring

- 25.8254: 25 mm backset mechanism with installation kit
- 25.8699: Custom backset mechanism with installation kit

Parts separate:

- 25.525: 25 mm backset mechanism only
- 22.9820: strike plate with lip; polished chrome
- 24.821.106: button brass polished
- 24.813.106: ring brass polished
- 24.821.556: button satin nickel
- 24.813.556: ring satin nickel

- 24.559: spacer for button 6 mm
- 24.569: spacer for button 1 mm
- 24.557: filler plate for body 1 mm

Button #24.812

Square Ring #24.813

2x Button Spacers #24.569

2x Button Spacer #24.559

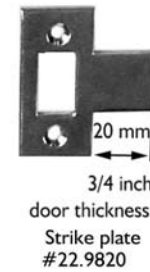
6 mm (1/4") thick

2x Filler Plate #24.557
1 mm thick

Mechanism: #25.525
Select backset when ordering standard: 25 mm backset.



Threaded rod M6



Strike plate #22.9820

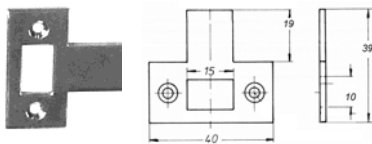
#25.525

Roller bolt Strike plate



- 22.099 #22.099 Roller Bolt strike; 30 mm x 10 mm stainless steel

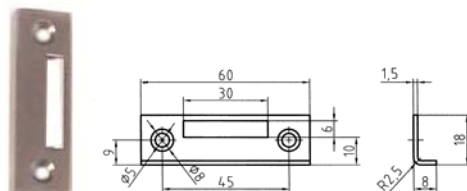
Strike plate for 3/4 inch doors



- 22.9820 #22.9820 strike for 3/4 inch thick doors
- 22.098S #22.098S strike for 5/8 inch thick doors
- 22.098L #22.098L strike for 1 1/4 inch thick doors

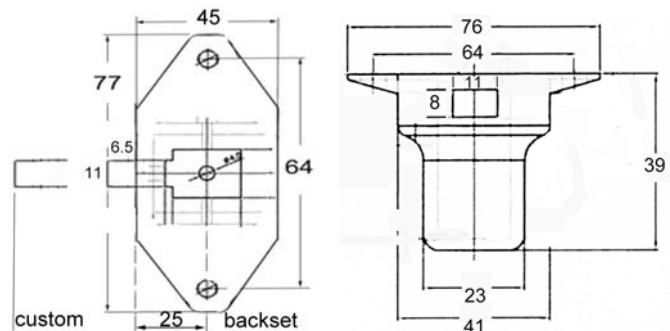
Strike for overlay doors (separate)

Stainless steel 60 x 18 x 8 mm



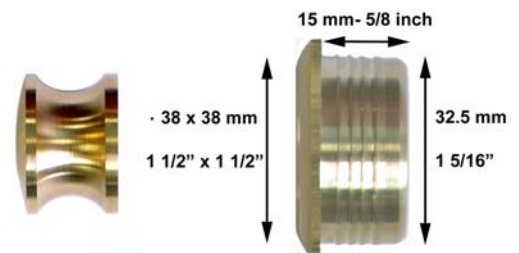
- 23.097 #23.097 strike plate stainless steel. For use with overlay doors applications Please order separate

**SPECIFY BACKSET MECHANISM
STANDARD BACKSET: 25 MM OR 1 INCH.**



dimensions in mm.

BUTTON AND RING INCLUDED IN SET:



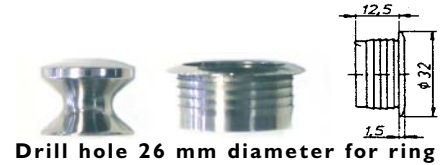
Button diameter: 28.2 mm or 1 1/8"
Drill hole 1 5/16 inch diameter for ring

This set allows for installation for any door thickness from 1 1/16 To 1 1/4 inch thick doors, by simply applying filler plates, button spacers and threaded rods in any desired combination. Angle strike #23.012 is included with the set. Other strikes are special order.. Separate buttons and rings see page 2-4-5 and page 2-4-6



THIN WALL 316 STAINLESS STEEL BUTTON AND RING

- #24.552: Button polished stainless steel
- #24.553: Ring polished stainless steel
- #24.5521: Button polished titanium gold coated stainless steel
- #24.5531: Ring polished titanium gold coated stainless steel
- #24.5522: Button satin stainless steel
- #24.5532: Ring satin stainless steel



Drill hole 26 mm diameter for ring



THIN WALL OVAL BRASS BUTTON AND RING

- #24.121.106: Button polished lacquered brass
- #24.122.106: Ring polished lacquered brass
- #24.121.266: Button polished chrome plated brass
- #24.122.266: Ring polished chrome plated brass
- #24.121.566: Button satin chrome plated brass
- #24.122.566: Ring satin chrome plated brass
- #24.121.256: Button polished nickel plated brass
- #24.122.256: Ring polished nickel plated brass
- #24.121.556: Button satin nickel plated brass
- #24.122.556: Ring satin nickel plated brass

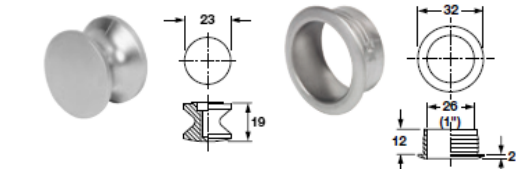


Router oval hole 25 x 41 mm for ring



THIN WALL BRASS BUTTON AND RING

- #24.625.106: Button polished lacquered brass
- #24.635.106: Ring polished lacquered brass
- #24.625.266: Button polished chrome plated
- #24.635.266: Ring polished chrome plated brass
- #24.625.556: Button satin nickel brass
- #24.635.556: Ring satin nickel brass



Drill hole 26 mm diameter for ring

Please call our office about custom finishes

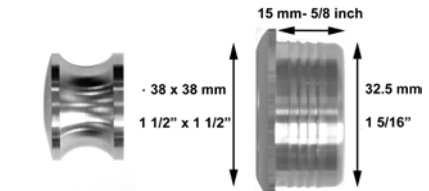
CUSTOM FINISH

- #24.125.999: Button, custom finish
- #24.135.999: Ring, custom finish

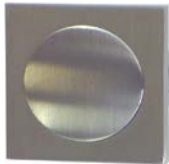


FLAT SQUARE BRASS RING WITH FLAT BUTTON

- #25.811.556: Button Flat satin nickel brass
- #25.812.556: Square Ring Flat satin nickel brass
- #25.811.266: Button Flat polished chrome plated
- #25.812.266: Square Ring Flat polished chrome plated brass

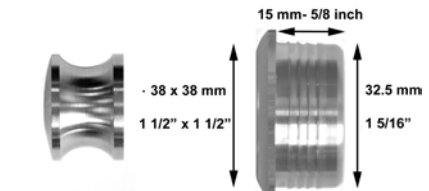


Drill hole 1 5/16 inch diameter for ring



FLAT SQUARE BRASS RING WITH ROUND BUTTON

- #25.821.556: Button Flat satin nickel brass
- #25.812.556: Square Ring Flat satin nickel brass
- #25.821.266: Button Round polished chrome plated
- #25.812.266: Square Ring Flat polished chrome plated brass



Drill hole 1 5/16 inch diameter for ring

ALL BUTTON AND RINGS WORK WELL WITH 3/4 INCH OR 19 MM THICK MATERIAL.

USE FILLR PLATES ON THE MECHANISM WHEN MATERIAL IS LESS THEN 3/4" THICK

USE EXTENSION BUSHINGS BEHIND THE BUTTON WHEN THE MATERIAL IS THICKER THEN 3/4 INCH